



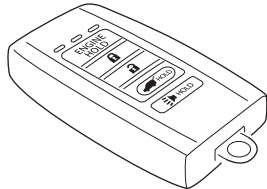
# INSTALLATION INSTRUCTIONS

Accessory	Application	Publications No.
REMOTE ENGINE START KIT P/N 38015-TX6-A00	2016 ILX (Technology Package)	VERSION 2
		Issue Date JUL 2015

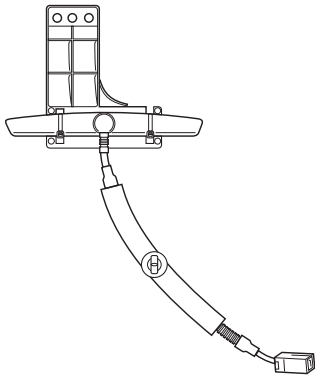
## PARTS LIST

### Remote Engine Start Kit P/N 38015-TX6-A00

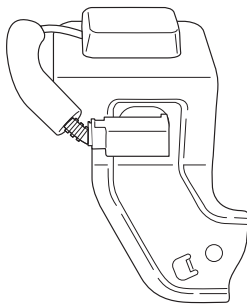
- Remote (1) P/N 72147-TX6-C61
- Remote (1) P/N 72147-TX6-C71



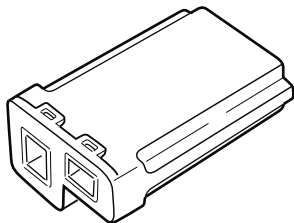
### Bidirectional Antenna



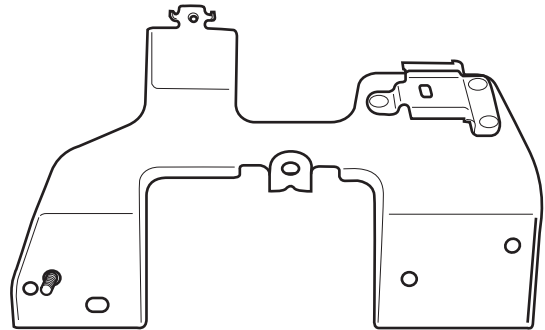
### GPS Antenna



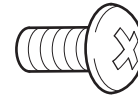
### Transceiver



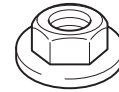
### Antenna Bracket



### Screw



### 6 mm Flange Nut (3)



## TOOLS AND SUPPLIES REQUIRED

Phillips screwdriver  
10 mm open end wrench  
Small flat-tip screwdriver  
Ratchet  
10 mm socket  
Diagonal cutters  
Tape  
Isopropyl alcohol  
Shop towel  
Blanket

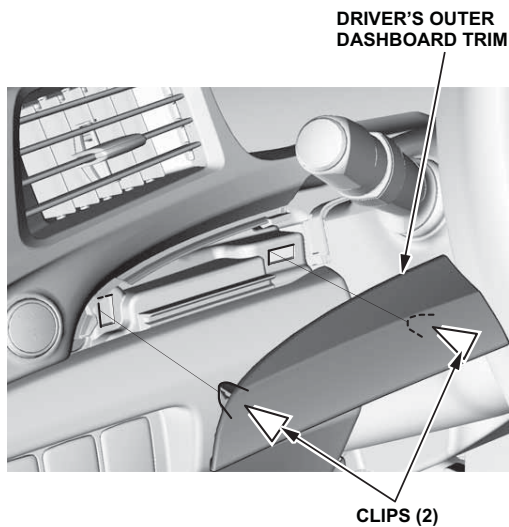
*The following tools are available through the Honda Tool and Equipment Program. On the iN, click on: Service > Service Bay > Tool and Equipment Program, then enter the number under "Search". Or, call 888-424-6857.*

- Trim Tool Set (T/N SOJATP2014)
- Plastic Trim Tool (T/N SILTRIMTL10)

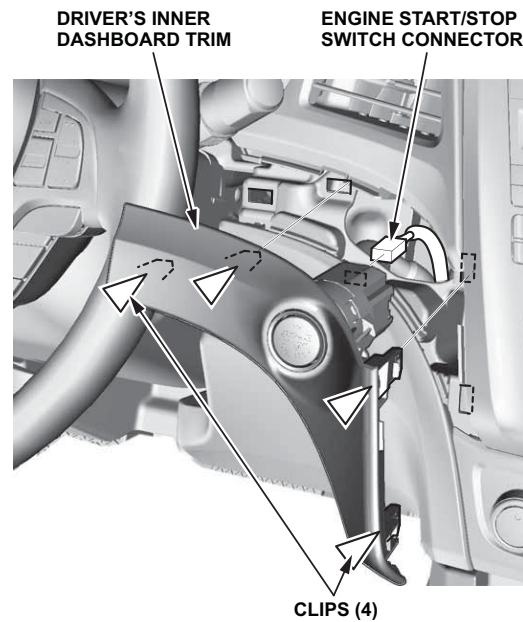
## INSTALLATION

**Client Information:** The information in this installation instruction is intended for use only by skilled technicians who have the proper tools, equipment, and training to correctly and safely add equipment to your vehicle. These procedures should not be attempted by "do-it-yourselfers."

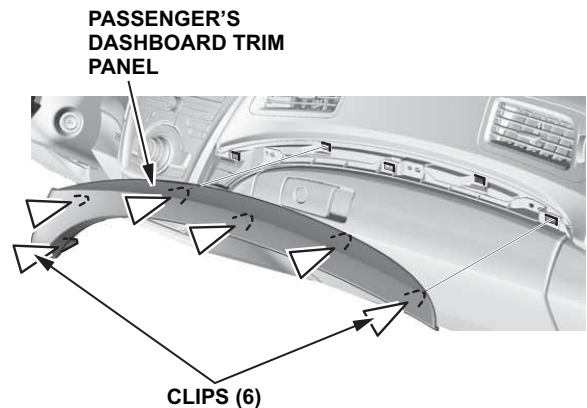
1. Disconnect the negative cable from the battery.
2. Remove the driver's outer dashboard trim.



3. Remove the driver's inner dashboard trim and disconnect the Engine Start/Stop switch connector.

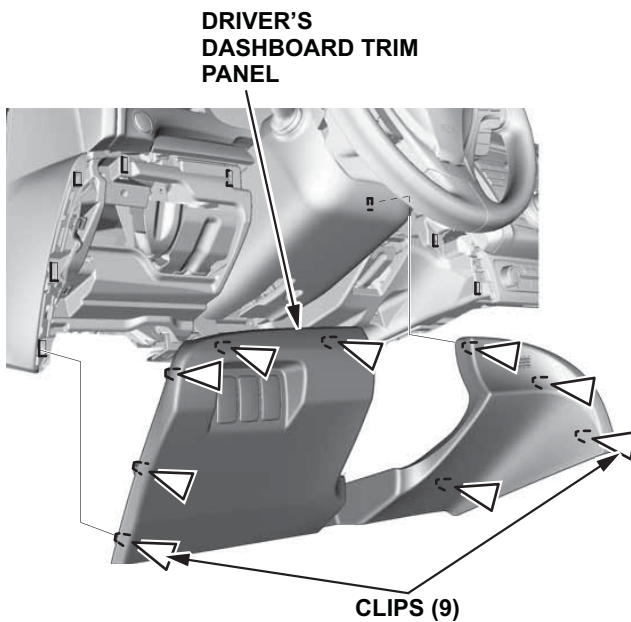


4. Open the glove box and remove the passenger's dashboard trim panel.

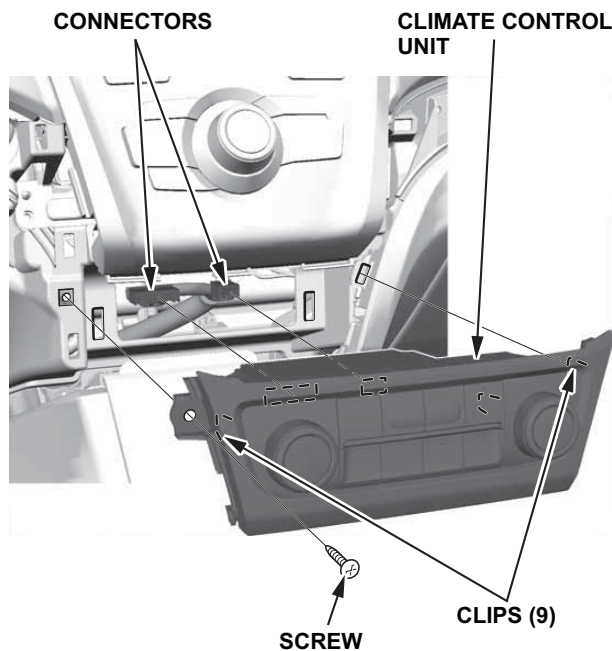


- Remove the driver's dashboard lower cover.
 

NOTE: To avoid whitening the dashboard cover, start by gently and evenly pulling out on the lower edge of the cover to release its lower clips, then work your way up the cover to release the middle and top clips.

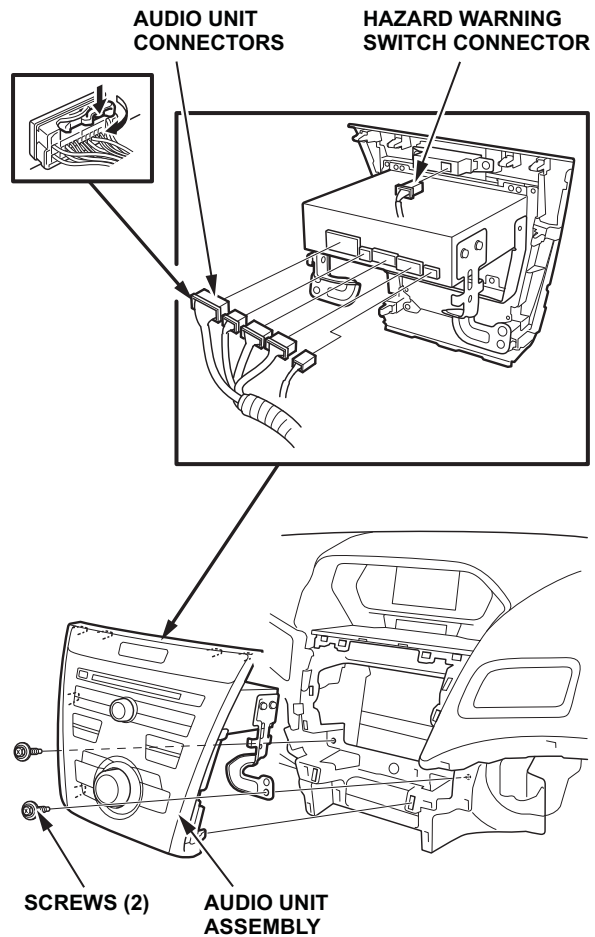


- Remove the climate control unit and disconnect the connector.

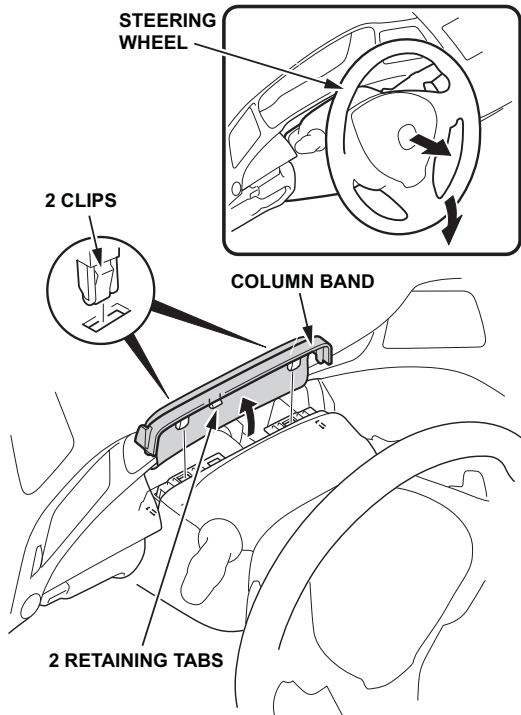


- Pull out the audio unit assembly. Disconnect the hazard warning switch connector and the audio unit connectors.
 

NOTE: There is a lever lock on one of the audio unit connectors.

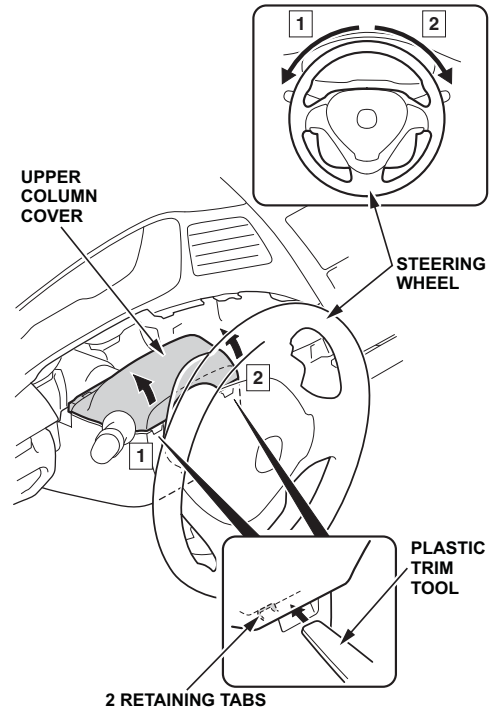


8. Lower the tilt lever. Pull and lower the steering wheel.

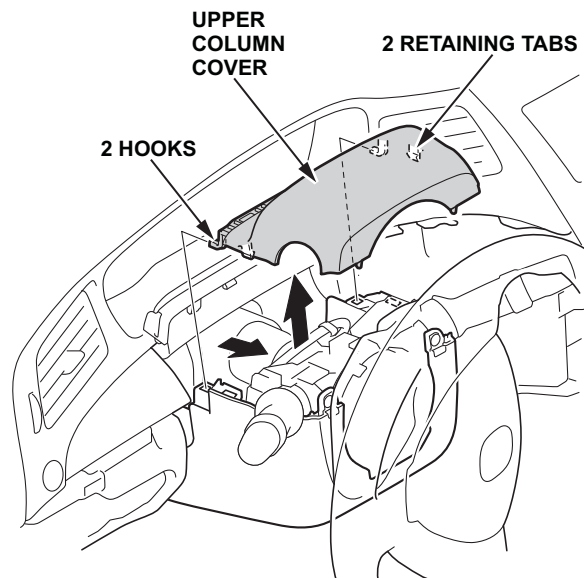


9. Remove the column band

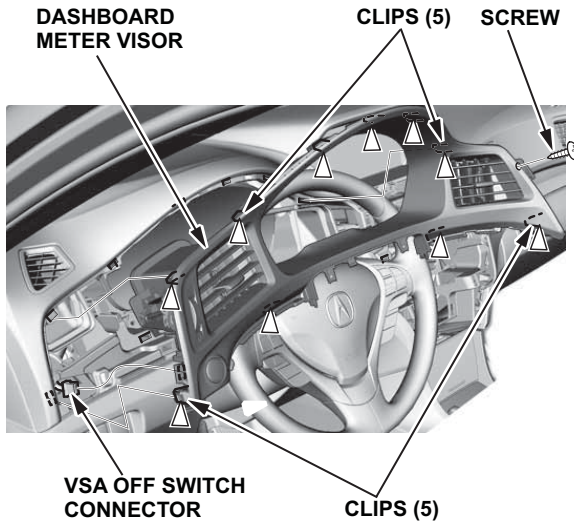
10. Reconnect the negative battery cable. Then press the Engine Start/Stop button to select the ON mode. Turn the steering wheel 90° counterclockwise. Using a plastic trim tool, release the retaining tab.



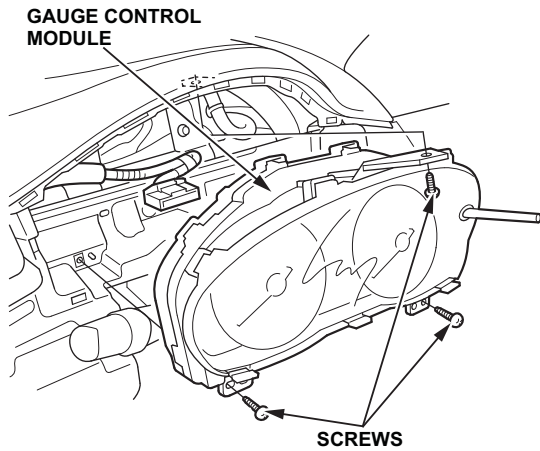
11. Turn the steering wheel 180° clockwise. Using a plastic trim tool, release the retaining tab.  
12. Remove the upper column cover.



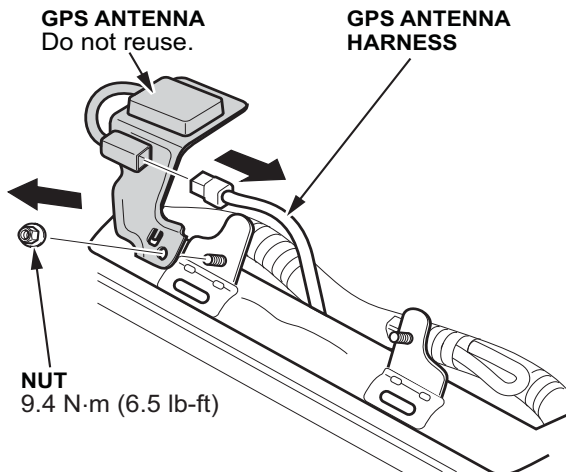
13. Remove the dashboard meter visor and disconnect the VSA OFF switch connector.



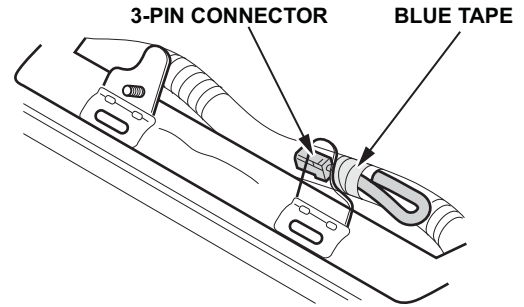
14. Remove the gauge control module and disconnect the gauge control module connector.



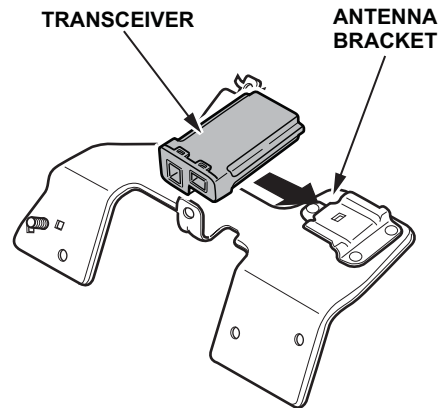
15. Remove the GPS antenna.



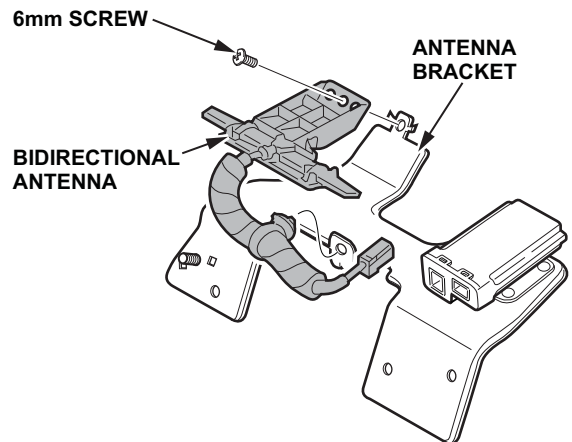
16. Locate the vehicle connector taped to the vehicle harness. Remove the tape to free the 3-pin connector and route the connector to the right of the dashboard support bracket.



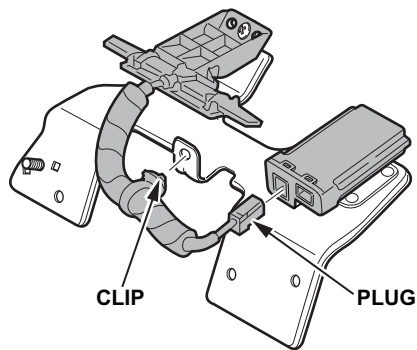
17. Slide the transceiver onto the antenna bracket as shown.



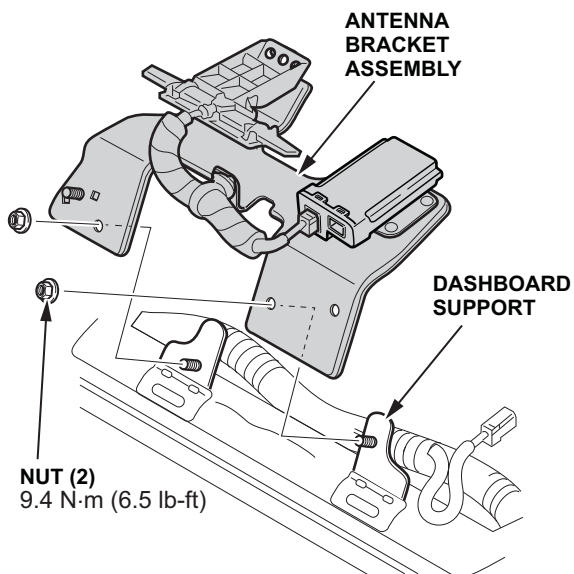
18. Using the 6 mm screws, secure the bidirectional antenna to the antenna bracket.



19. Plug the bidirectional antenna into the transceiver and secure the clip on the harness to the bracket.

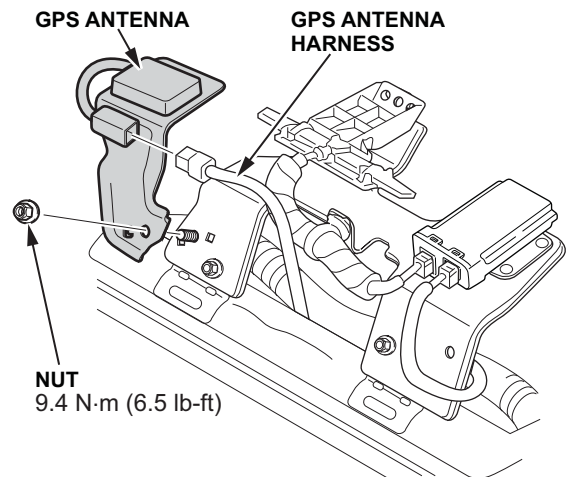


20. Using the two flange nut's attach the antenna bracket assembly to the dashboard support.



21. Plug in the transceiver.

22. Attach the GPS antenna supplied in this kit to the bracket assembly using one flange nut.



23. Plug in the GPS antenna.
24. Check that all wire harnesses are routed properly and all connectors are plugged in.
25. Reinstall all removed parts.
26. Reconnect the negative cable to the battery.
27. Press and hold the audio unit power button for two seconds to restore the audio and navi (if equipped) system functions.
28. Reset the clock on vehicle without navigation.

## **ENGINE REMOTE START SYSTEM REGISTRATION**

NOTE: the PCM code will be required for this procedure.

1. Connect the HDS to the data link connector.
2. From the System Selection Menu, select ONE-PUSH START, then go to Registration.
3. From the Registration Menu, select KEYLESS ACCESS Remotes, then select 2-WAY KEYLESS SETUP. Change the setting to 2-WAY KEYLESS mode.
4. Go back to the KEYLESS ACCESS Remotes Registration Menu, select Add a KEYLESS ACCESS Remote, and follow the instructions on the HDS screen. Do not bring the Remote Starter remote into the vehicle until the HDS asks for the new remote.
5. Repeat step 4 for the second Remote Starter remote.
6. After registration, verify all remote-related systems work normally with all remotes.

## **REMOTE ENGINE START**

1. Press LOCK, then press and hold ENGINE. The amber LED blinks, and the green LED stays solid for one second when the engine starts. You can repeat this once at any time within 10 minutes of the initial remote start for a 10-minute extension.
2. While remote engine start is on:
  - The climate control system can warm or cool the interior, depending on the ambient temperature.
  - The security system remains on.
  - Exterior lights and accessories remain off.
3. To start driving after you enter the vehicle, depress the brake pedal and press ENGINE/START/STOP.

## **STOPPING THE ENGINE**

Press and hold ENGINE. The red LED stays solid for one second.

NOTE: The engine will stop if it has been running for more than 10 minutes or any door is opened without using the remote or keyless access.

For additional technical information, refer to the vehicle owner's manual.